



股票简称: 章源钨业 股票代码: 002378
 Stock Abbreviation: Zhangyuan Tungsten Stock Code: 002378

离心机合金产品

CENTRIFUGE ALLOY PRODUCT



Add(地址): 中国江西省崇义县 Chongyi County, Jiangxi Province, China Website(网址): www.zy-tungsten.com

市场部 Marketing Department

电话(Tel): +86-797-3816600
 传真(Fax): +86-797-3811573
 邮箱(E-mail): zyscb@zy-tungsten.com

进出口部 Import and Export Department

电话(Tel): +86-797-3812880
 传真(Fax): +86-797-3822120
 邮箱(E-mail): export@zy-tungsten.com

粉末销售部 Powder Sales Department

电话(Tel): +86-797-3823339
 传真(Fax): +86-797-3818506
 邮箱(E-mail): zysales@zy-tungsten.com

合金销售部 Cemented Carbide Sales Department

电话(Tel): +86-797-3822070
 传真(Fax): +86-797-3819502
 邮箱(E-mail): sales@zy-tungsten.com



崇义章源钨业股份有限公司
 CHONGYI ZHANGYUAN TUNGSTEN CO.,LTD

公司简介

Enterprise Introduction

崇义章源钨业股份有限公司位于“世界钨都”——江西省赣州市的崇义县，始创于2000年。公司主要从事钨精矿的采选及以钨为原料的仲钨酸铵（APT）、氧化钨、钨粉、碳化钨粉、热喷涂粉、硬质合金的研发、生产及销售。拥有完整的钨产业链，建立了从钨的探采选直至精深加工的一体化生产体系，拥有优质和稳定的产品性能。

Chongyi Zhangyuan Tungsten Co., Ltd. is located in Ganzhou, Jiangxi Province, the capital of tungsten, which was founded in 2000. It is mainly engaged in the selection of tungsten concentrate and centered in developing, manufacturing and distributing tungsten products such as Ammonium Paratungstate (APT), Tungsten Oxide, Tungsten Powder, Tungsten Carbide Powder, Thermal Spray Powder, and Cemented Carbides. It has a complete tungsten industry chain and established an integrated production system from tungsten mining to deep processing, ensuring the products with high-quality and stable performance.



1 2
3 4 5

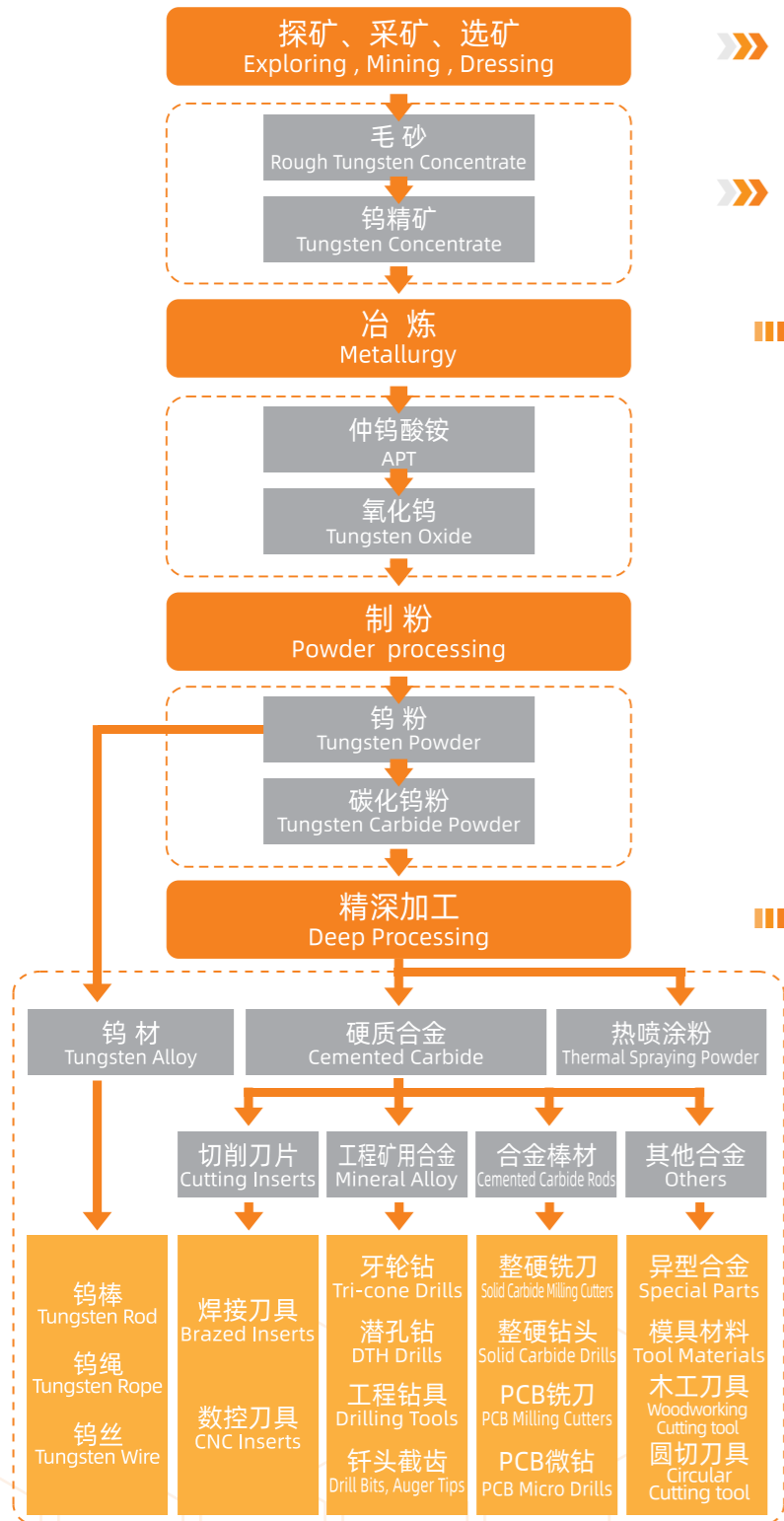
1. 高新技术企业证书
High-tech enterprise certificate
2. 国家技术创新示范企业
National Technological Innovation Model Enterprise
3. ISO9001:2015质量管理体系认证证书
ISO9001:2015 Quality management system certification

4. ISO14001:2015环境管理体系认证证书
ISO14001:2015 Environmental management system certification
5. ISO50001:2018能源管理体系认证证书
ISO50001:2018 Energy management system certification



完整的钨行业产业链

The Complete Tungsten Industry Chain



绿色矿山
Green Mine

资源综合利用
Comprehensive Utilization
of Resources

绿色工厂
Green Factory

高附加值
High Value-added

硬质合金生产介绍

Introduction of Cemented Carbide Production

公司引进国外先进硬质合金生产工艺技术和装备。拥有切削刀片(传统焊接、机夹刀片、涂层刀片、数控刀片和异型刀片)、矿用合金、合金棒材、异型合金现代化生产线，年产1500吨硬质合金。在超细、纳米晶硬质合金，喷涂复合粉，数控刀片，内螺旋孔挤压棒材以及矿用合金、超粗晶硬质合金技术方面形成了技术和工艺优势，产品畅销国内外市场。

We have introduced advanced foreign hard alloy production technology and equipment. And have modern production lines for cutting inserts (traditional brazed inserts, machine clamping inserts, coated blades, CNC blades, and special-shaped blades), mining alloys, cemented carbide rods, and special-shaped alloys, with an annual output of 1500 tons of cemented carbide. Producing technology of ultra-fine-sized, nano-sized cemented carbide, spray powder, CNC inserts, inner spiral hole extruded rods, cemented carbide for mining and ultra-coarse-sized cemented carbide have technical and technological advantages. Our products are well sold in domestic and foreign markets.

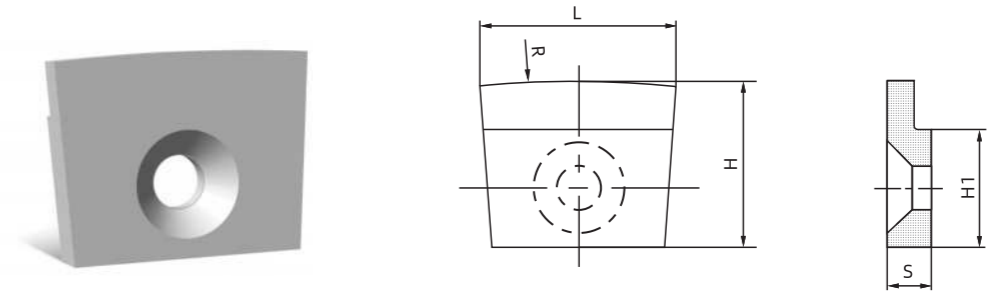


离心机牌号物料性能与推荐用途

Grade, Material properties and Applications Recommended

牌号 Grade	粘结相 Binding phase %	密度 Density g/cm ³	硬度 Hardness HRA	抗弯强度 TRS N/mm ²	特征及用途 Product feature and application
YG8	8	14.75	90.1	2500	通用型牌号 Universal grade
YG6	6	14.95	90.8	2400	通用型牌号 Universal type
FC11N	11	14.55	91.6	4000	添加了镍和铬，具有很好的耐腐蚀性 Nickel and chromium are added to provide excellent corrosion resistance
FC6N	6	14.42	91.6	3500	添加了镍和铬，具有很好的耐腐蚀性 Nickel and chromium are added to provide excellent corrosion resistance
ZY06EF	6	14.8	93.5	2750	细颗粒牌号，具有很好的耐磨性和一定的耐腐蚀性 Fine size grade, with excellent abrasive resistance and corrosion resistance
YN9X	9	14.45	93.8	3000	纳米颗粒牌号，具有很好的耐磨性和耐腐蚀性 Nano-size grade, with excellent abrasive resistance and corrosion resistance
C400	16	7.25	91.2	2500	金属陶瓷牌号，卓越的耐磨性和耐腐蚀性 适用于需要减重的需求 Cermets grade, with superior resistance and corrosion resistance, suitable for weight loss needs.

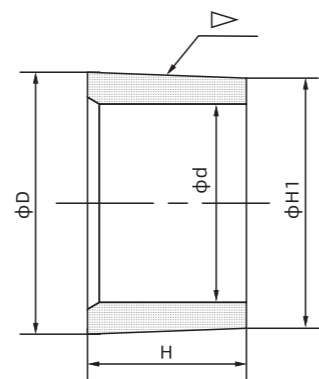
螺栓紧固式螺旋耐磨片 Bolt fastening spiral wear plate



L	H	H1	S	R
30	25	18	5.5	R345
30	25	18	5.5	R365
30	25	18	5.5	R410
30	25	18	5.5	R240
30	25	18	5.5	R170
30	25	18	5.5	R174
30	25	18	5.5	R213
30	25	18	5.5	R259
30	25	18	5.5	R358

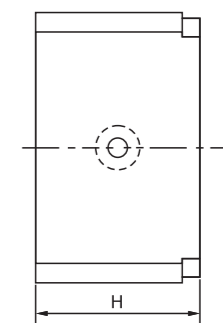
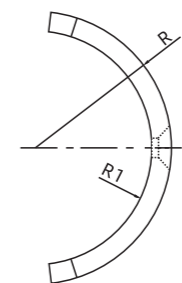


出渣口 Slag hole



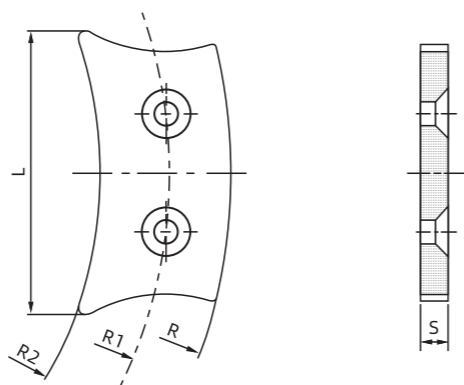
D	D1	d	H	锥度 Taper
46.3	44	35	34	1:15
53.4	51.4	40	40	1:20
53.4	52	40	32	1:20
61.4	59.4	47	40	1:20
61.4	59.8	47	32	1:20
66	63.3	50	40	1:15

出渣口护瓦 Slag hole guard board



序号 Sequence number	R	R1	H
1	42.7	38.6	80
2	31	26	49
3	45.5	40.5	68
4	56	48	64.5
5	53	45	60
6	58.5	50	70
7	64	56	95
8	78	70	79.5

蹄形护板 Horseshoe-shaped guard board



R	R1	R2	L	S
226	210	168	81	10
170	147	121	85	10
184	162	134	92.5	10
184	164	137.5	92	10
230	205	165.5	113	10
255	225.5	200.5	108	10



利用**资源**
BENEFIT FROM RESOURCES

依靠**科技**
RELIANCE ON TECHNOLOGIES

以**人**为本
DEVOTION TO HUMANITY

诚信**至**上
TOP WITH TRUST

安全 • 和谐 • 高效 • 创新
SAFE • HARMONIOUS • EFFICIENT • INNOVATIVE

